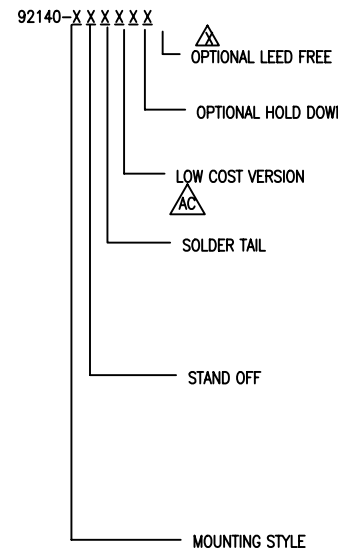


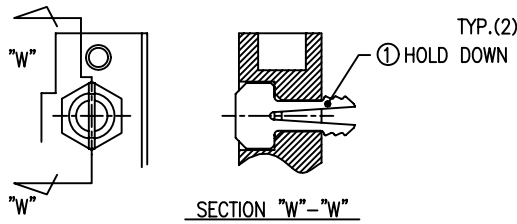
PRODUCT NO.

92140

PRODUCT NO.	STAND OFF	SOLDER TAIL	DIM "P" (mm)	DIM "Q" (mm)	FOR LOWER DECK OR UPPER DECK	HOLD DOWN	LOCATOR FOR SOLDER TAIL ALIGNMENT	SHEET NO.	MOUNTING STYLE TO PCB		
92140-XXXX	MM (mm)										
000	0	R/A	2.8	--	LOWER	NONE	NONE	NO.2	TOP MOUNT 92140-XXXX		
000M	0	R/A	2.8	--	LOWER	NONE	NONE				
000LF	0	R/A	2.8	--	LOWER	NONE	NONE				
000MLF	0	R/A	2.8	--	LOWER	NONE	NONE				
000H	0	R/A	2.8	--	LOWER	YES	NONE				
000HLF	0	R/A	2.8	--	LOWER	YES	NONE				
001	0	SMT STG.	--	--	LOWER	NONE	NONE				
001LF	0	SMT STG.	--	--	LOWER	NONE	NONE				
001H	0	SMT STG.	--	--	LOWER	YES	NONE				
001HLF	0	SMT STG.	--	--	LOWER	YES	NONE				
002	0	SMT LL	--	--	LOWER	NONE	NONE				
002LF	0	SMT LL	--	--	LOWER	NONE	NONE				
002H	0	SMT LL	--	--	LOWER	YES	NONE				
002HLF	0	SMT LL	--	--	LOWER	YES	NONE				
010	4	R/A	2.8	--	LOWER	NONE	YES			NO.3	BLACK COLOR
010LF	4	R/A	2.8	--	LOWER	NONE	YES				
010H	4	R/A	2.8	--	LOWER	YES	YES				
010HLF	4	R/A	2.8	--	LOWER	YES	YES				
020	5	R/A	2.8	--	LOWER	NONE	YES				
020LF	5	R/A	2.8	--	LOWER	NONE	YES				
020MLF	5	R/A	2.8	--	LOWER	NONE	YES				
021MLF	5	R/A	2.8	--	LOWER	NONE	YES				
020H	5	R/A	2.8	--	LOWER	YES	YES				
020HLF	5	R/A	2.8	--	LOWER	YES	YES				
040	2	R/A	2.5	--	LOWER	NONE	NONE	NO.4	BOTTOM MOUNT 92140-5XXX		
040LF	2	R/A	2.5	--	LOWER	NONE	NONE				
040HLF	2	R/A	2.5	--	LOWER	YES	NONE				
050	3	R/A	2.8	--	LOWER	NONE	YES				
050LF	3	R/A	2.8	--	LOWER	NONE	YES				
050H	3	R/A	2.8	--	LOWER	YES	YES				
050HLF	3	R/A	2.8	--	LOWER	YES	YES				
005	FOR 0	R/A	2.8	8.6	UPPER	NONE	YES				
005LF	FOR 0	R/A	2.8	8.6	UPPER	NONE	YES				
045	FOR 2	R/A	2.5	10.3	UPPER	NONE	YES				
045LF	FOR 2	R/A	2.5	10.3	UPPER	NONE	YES				
500	0	R/A	2.8	--	LOWER	NONE	NONE	NO.5	NATURAL OR BLACK COLOR		
500LF	0	R/A	2.8	--	LOWER	NONE	NONE				
500H	0	R/A	2.8	--	LOWER	YES	NONE				
500HLF	0	R/A	2.8	--	LOWER	YES	NONE				
501	0	SMT STG.	--	--	LOWER	NONE	NONE				
501LF	0	SMT STG.	--	--	LOWER	NONE	NONE				
501H	0	SMT STG.	--	--	LOWER	YES	NONE				
501HLF	0	SMT STG.	--	--	LOWER	YES	NONE				
502	0	SMT LL	--	--	LOWER	NONE	NONE				
502LF	0	SMT LL	--	--	LOWER	NONE	NONE				
502H	0	SMT LL	--	--	LOWER	YES	NONE				
502HLF	0	SMT LL	--	--	LOWER	YES	NONE				
503	0	SMT LL	--	--	LOWER	NONE	NONE	NO.6			
503LF	0	SMT LL	--	--	LOWER	NONE	NONE				
510	4	R/A	2.8	--	LOWER	NONE	YES				
510LF	4	R/A	2.8	--	LOWER	NONE	YES				
510HLF	4	R/A	2.8	--	LOWER	YES	YES				
520	5	R/A	2.8	--	LOWER	NONE	YES				
520LF	5	R/A	2.8	--	LOWER	NONE	YES				
520H	5	R/A	2.8	--	LOWER	YES	YES				
520HLF	5	R/A	2.8	--	LOWER	YES	YES				
530	2	R/A	1.48	--	LOWER	NONE	NONE				
530LF	2	R/A	1.48	--	LOWER	NONE	NONE				
540	2	R/A	2.5	--	LOWER	NONE	NONE	NO.7			
540LF	2	R/A	2.5	--	LOWER	NONE	NONE				
505	FOR 0	R/A	2.8	8.6	UPPER	NONE	YES				
505LF	FOR 0	R/A	2.8	8.6	UPPER	NONE	YES				
535	FOR 2	R/A	1.48	9.28	UPPER	NONE	YES				
535LF	FOR 2	R/A	1.48	9.28	UPPER	NONE	YES				
545	FOR 2	R/A	2.5	10.3	UPPER	NONE	YES				
545LF	FOR 2	R/A	2.5	10.3	UPPER	NONE	YES				



- NONE : N 0
- LF : YES
- NONE : N 0
- H : YES (SEE FIGURE OF -xxxH)
- NONE : N 0
- M : YES (DETAIL AS COMPONENT)
- 0 : R/A (FOR LOWER & SINGLE)
- 1 : SMT STAGGERED
- 2 : SMT IN LINE
- 3 : SMT IN LINE (FOR UPPER ONLY)
- 5 : R/A
- 0 : 0mm
- 1 : 4mm
- 2 : 5mm
- 3 : 2mm (SPECIAL TAIL LENGTH)
- 4 : 2mm
- 5 : 3mm
- 0 : TOP MOUNTING
- 5 : BOTTOM MOUNTING



92140-xxxH  
(OPTIONAL HOLD DOWN)

NOTE  
1. THIS PRODUCT MEETS EUROPEAN UNION DIRECTIVES AND OTHER COUNTRY REGULATIONS AS DESCRIBED IN GS-22-008.

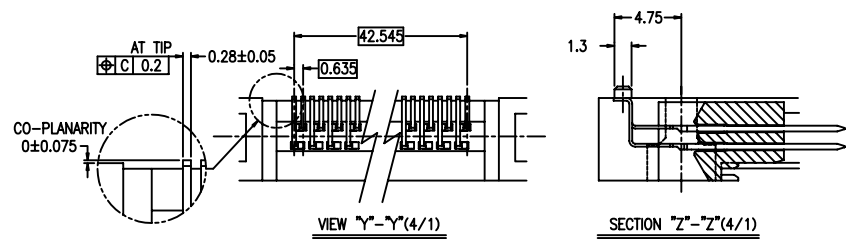
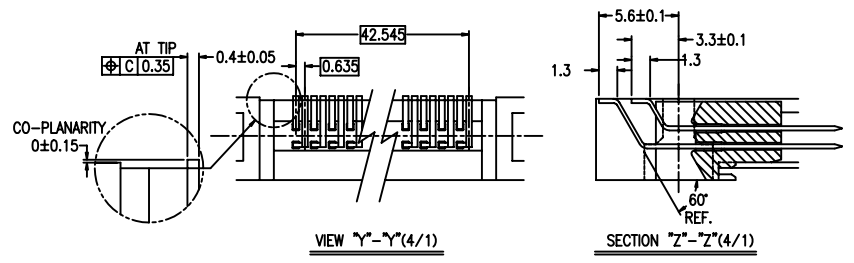
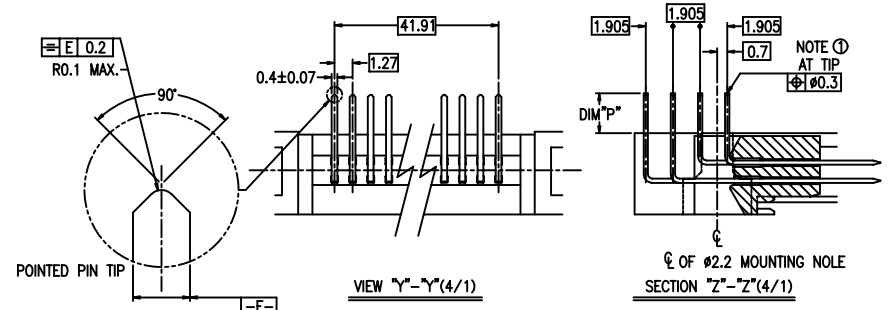
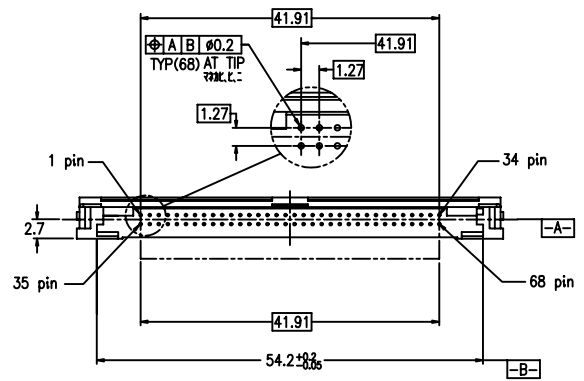
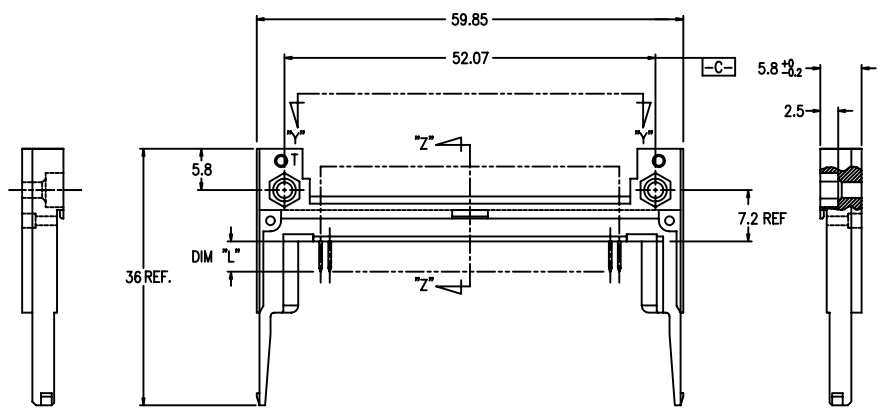
mat'l. code		surface ISO 1302		tolerance ISO 406 ISO 1101		projection		product family PCMCIA	
ltr		ecn no		dr		date		title	
AA		J05-0287		M.H		5/17/05		68 POS EJECTOR HEADER ASSY FOR 5.0V APPLICATION	
AB		N05-0279		M.Z		10/28/05			
AC		N06-0065		M.Z		04/03/06			
AD		N06-0286		M.Z		11/22/06			
AE		N07-0026		D.T		1/29/07			
AF		N07-0114		C.M		05/14/07			
AG		N07-0209		M.Z		11/14/08			
sheet		revision		AG		AG		AG	
index		sheet		1		2		3	

FCI CONFIDENTIAL

FCI

This document is the property of and embodies CONFIDENTIAL and PROPRIETARY information of FCI. No part of the information shown on this document may be used in any way or disclosed to others without the written consent of FCI. Copyright FCI.

PRODUCT NO.
92140-000M
92140-000MLF
92140-000H
92140-000HLF
92140-001
92140-001LF
92140-001H
92140-001HLF
92140-002
92140-002LF
92140-002H
92140-002HLF



**NOTES**

- TRUE POSITION IS A FREE GRID TO PIN PATTERN ITSELF.
- SEE TA-946 FOR PCB LAYOUT.
- MATERIAL HOUSING : LCP UL94V-0 BLACK(SPECIAL VERSION MATERIAL: PA46).  
PIN : PHOSPHOR BRONZE(SPECIAL VERSION MATERIAL:BRASS).  
HOLD-DOWN : BRASS
- FINISH PIN  
UNDER PLATING : 0.5µm MIN. Ni.  
CONTACT AREA : 0.1µm MIN. Au.  
OVER 0.5µm MIN. Pb-Ni.  
NOTE:SPECIAL VERSION:ONLY 0.25µm Au  
SOLDER AREA : 2.5µm MIN. Sn-Pb.  
OR 2.5µm MIN. PURE Sn.(FOR -XXXLF)  
HOLD-DOWN : 2.5µm MIN. PURE Sn.
- RECOMMENDED PCB HOLE (OPTIONAL HOLD-DOWN) : 2.3±0.1
- SEQUENCE PIN ASSIGNMENT

PIN No.	DIM "L"		
	4.25±0.1	3.5±0.1	5.0±0.1
OTHERS	36.67	17.24	35.58

- GENERAL TOLERANCE : ±0.3
- SEE SHEET 1 REGARDING COMPONENTS.

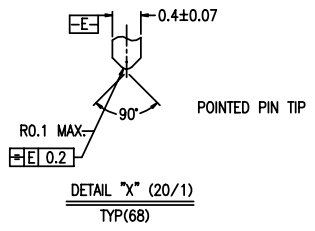
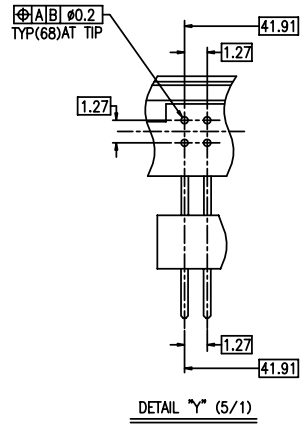
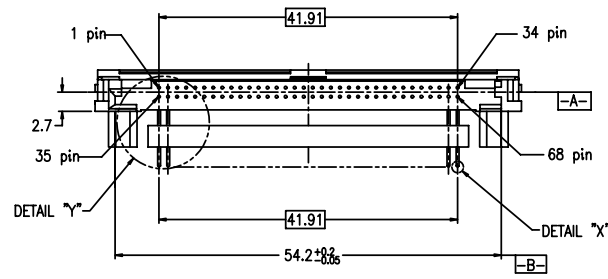
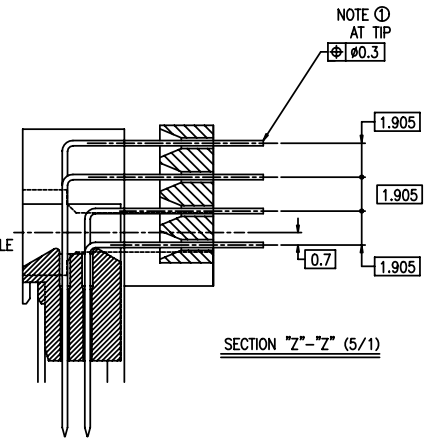
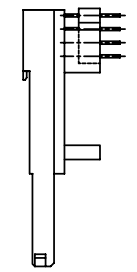
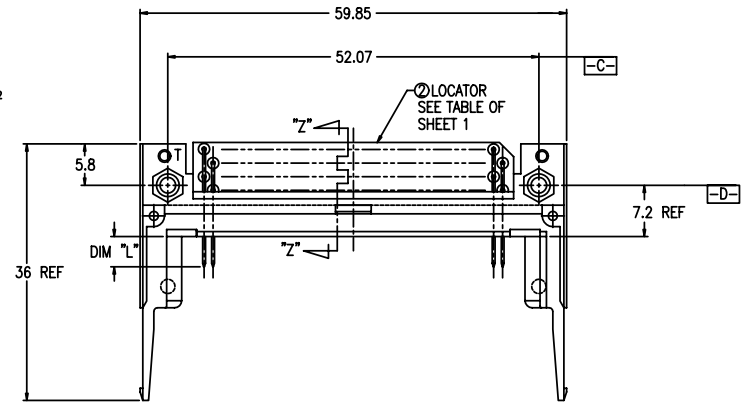
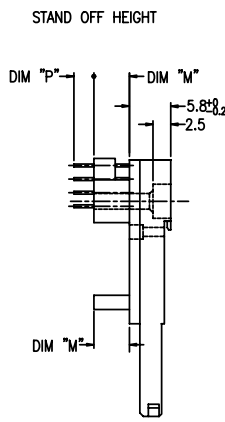
mat'l. code		surface	tolerance	projection	product family	PCMCIA
ltr		ISO 1302	ISO 406 ISO 101		title	
ecn no		tolerances unless otherwise specified			68 POS EJECTOR HEADER ASSY	
dr		angles	linear	MM	dwg no 92140 sheet 2of 7 size A4	
enr		±2'	±0.3	scale	type CUSTOMER Drawing	
chr		dr Mike Zhou	11/21/06		sheet index	
appd		enr Mike Zhou	11/21/06		revision sheet	
		chr David Qin	11/21/06			
		appd Jack Wang	11/21/06			

FCI CONFIDENTIAL



This document is the property of and embodies CONFIDENTIAL and PROPRIETARY information of FCI. No part of the information shown on this document may be used in any way or disclosed to others without the written consent of FCI. Copyright FCI.

PRODUCT NO.	PRODUCT NO.
92140-010	92140-010LF
92140-010H	92140-010HLF
92140-020	92140-020LF
92140-020H	92140-020HLF
92140-040	92140-040LF
92140-050	92140-050LF
92140-050H	92140-050HLF
92140-020MLF	92140-040HLF
92140-0201MLF	



- NOTES
- TRUE POSITION IS A FREE GRID TO PIN PATTERN ITSELF.
  - SEE TA-946 FOR PCB LAYOUT.
  - MATERIAL
    - HOUSING : LCP UL94V-0 BLACK.
    - PIN : COPPER ALLOY
    - HOLD-DOWN : BRASS
  - FINISH PIN
    - UNDER PLATING : 0.5um MIN. Ni.
    - CONTACT AREA 1 : 0.1um MIN. Au.
    - OVER 0.5um MIN. Pb-Ni.
    - CONTACT AREA 2 : 0.25um MIN. Au( FOR -XXXMLF).
    - SOLDER AREA : 2.5um MIN. Sn-Pb.
    - OR 2.5um MIN. PURE Sn.(FOR -XXXLF&XXXMLF)
    - HOLD-DOWN : 2.5um MIN. PURE Sn.
  - RECOMMENDED PCB HOLE (OPTIONAL HOLD-DOWN) : 2.3±0.1
  - SEQUENCE PIN ASSIGNMENT

PIN No.	DIM 'T'		
	4.25±0.1	3.5±0.1	5.0±0.1
OTHERS	36.67	1.17-1.34	35±0.68

- GENERAL TOLERANCE : ±0.3
- SEE SHEET 1 REGARDING COMPONENTS.
- THIS PRODUCT MEETS EUROPEAN UNION DIRECTIVES AND OTHER COUNTRY REGULATIONS AS DESCRIBED IN GS-22-008

mat'l. code	surface	tolerance	projection	product family	PCMCIA
	ISO 1302	ISO 406 ISO 101		title	
ltr	ecn no	dr	date	tolerances unless otherwise specified	
AG				angles	linear
				±2'	±0.3
				dr	Mike Zhou 11/21/06
				enr	Mike Zhou 11/21/06
				chr	David Qin 11/21/06
				appd	Jack Wang 11/21/06
sheet index	revision sheet				



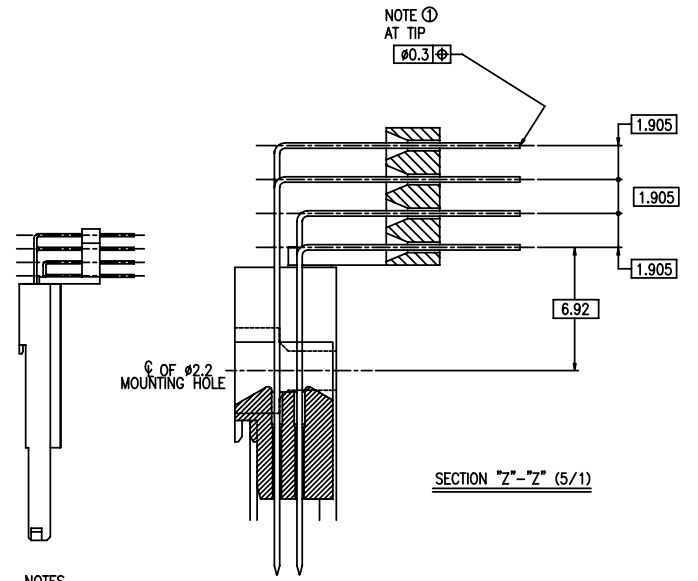
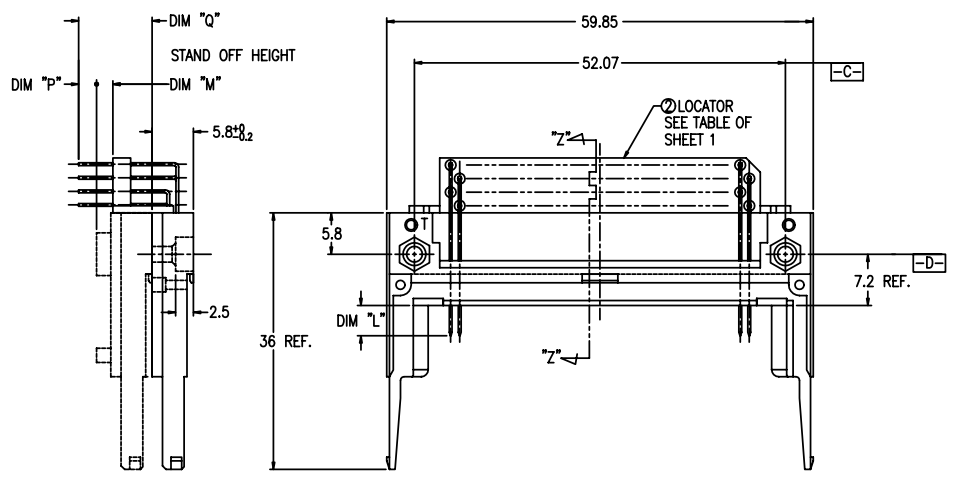
FCI CONFIDENTIAL

This document is the property of and embodies CONFIDENTIAL and PROPRIETARY information of FCI. No part of the information shown on this document may be used in any way or disclosed to others without the written consent of FCI. Copyright FCI.



FCIconnect.com

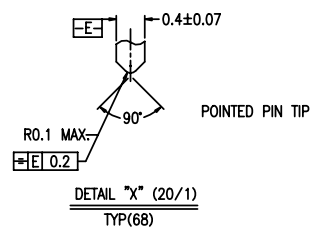
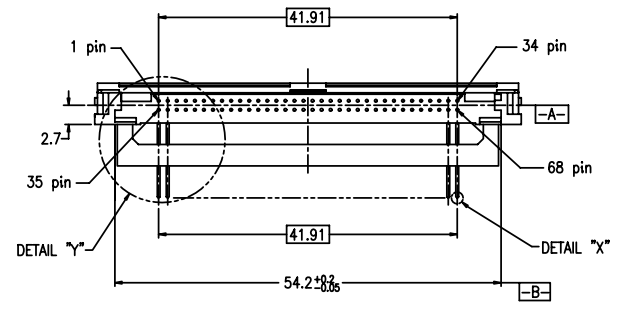
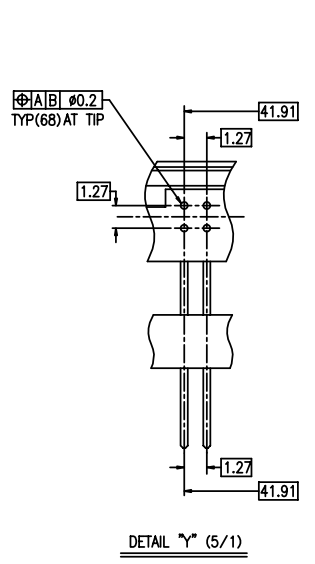
PRODUCT NO.
92140-005
92140-005LF
92140-045
92140-045LF



- NOTES
- TRUE POSITION IS A FREE GRID TO PIN PATTERN ITSELF.
  - SEE TA-946 FOR PCB LAYOUT.
  - MATERIAL  
HOUSING : LCP UL94V-0 BLACK.  
PIN : PHOSPHOR BRONZE.  
HOLD-DOWN : BRASS
  - FINISH  
PIN  
UNDER PLATING : 0.5um MIN. Ni.  
CONTACT AREA : 0.1um MIN. Au.  
OVER 0.5um MIN. Pb-Ni.  
SOLDER AREA : 2.5um MIN. Sn-Pb.  
OR 2.5um MIN. PURE Sn.(FOR -XXXLF)  
HOLD-DOWN : 2.5um MIN. PURE Sn.
  - RECOMMENDED PCB HOLE (OPTIONAL HOLD-DOWN) : 2.3±0.1
  - SEQUENCE PIN ASSIGNMENT

PIN No.	DIM "L"		
	4.25±0.1	3.5±0.1	5.0±0.1
OTHERS	36.67	117.34	38.51.88

- GENERAL TOLERANCE : ±0.3
- SEE SHEET 1 REGARDING COMPONENTS.
- THIS PRODUCT MEETS EUROPEAN UNION DIRECTIVES AND OTHER COUNTRY REGULATIONS AS DESCRIBED IN GS-22-008



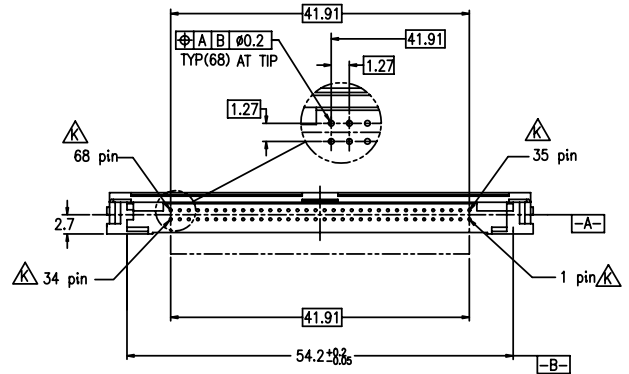
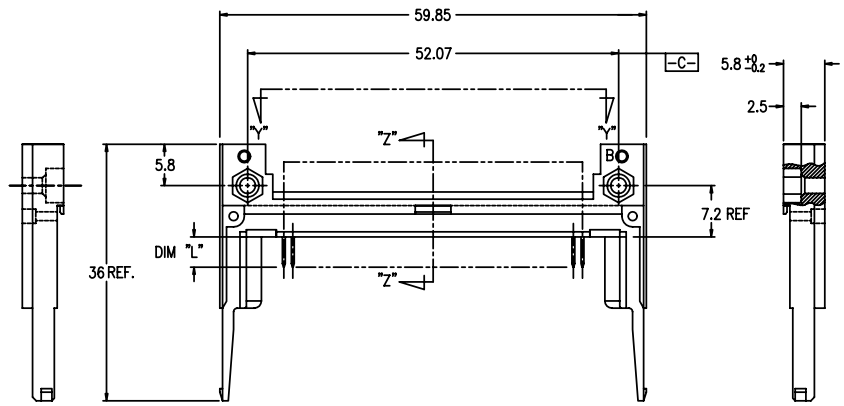
mat'l. code		surface	tolerance	projection	product family	PCMCIA	
ltr		ecn no	dr	date	tolerances unless otherwise specified		
AG		angles			linear	title	
		±2'			±0.3	68 POS EJECTOR HEADER ASSY FOR 5.0V APPLICATION	
		dr			Mike Zhou	11/21/06	
		enr			Mike Zhou	11/21/06	
		chr			David Qin	11/21/06	
		appd			Jack Wang	11/21/06	
sheet		revision		scale			
index		sheet		MM			
				dwg no			
				92140			
				sheet 4 of 7 size			
				A4			
				type			
				CUSTOMER Drawing			

FCI CONFIDENTIAL



This document is the property of and embodies CONFIDENTIAL and PROPRIETARY information of FCI. No part of the information shown on this document may be used in any way or disclosed to others without the written consent of FCI. Copyright FCI.

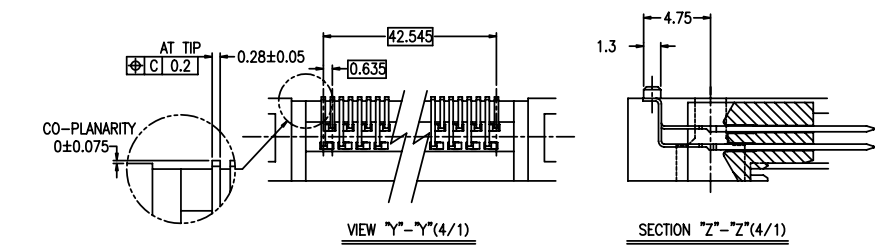
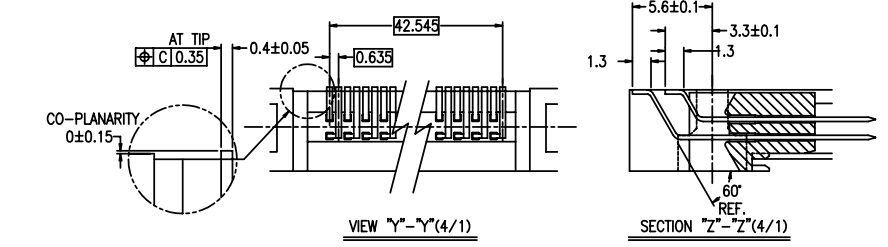
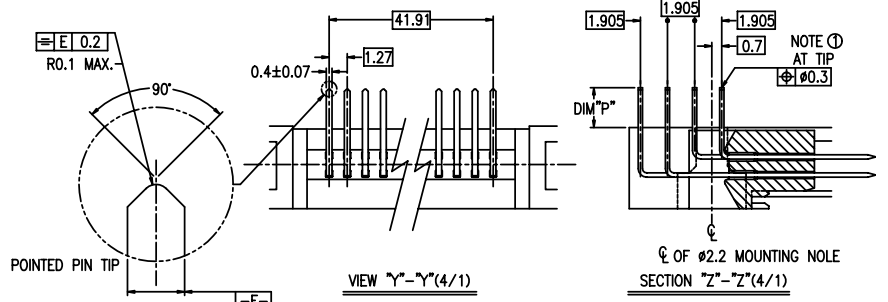
PRODUCT NO.
92140-500
92140-500LF
92140-500H
92140-500HLF
92140-501
92140-501LF
92140-501H
92140-501HLF
92140-502
92140-502LF
92140-502H
92140-502HLF
92140-503
92140-503LF



- NOTES
- TRUE POSITION IS A FREE GRID TO PIN PATTERN ITSELF.
  - SEE TA-946 FOR PCB LAYOUT.
  - MATERIAL  
HOUSING : LCP UL94V-0 NATURAL.  
PIN : PHOSPHOR BRONZE.  
HOLD-DOWN : BRASS
  - FINISH  
PIN  
UNDER PLATING : 0.5µm MIN. Ni.  
CONTACT AREA : 0.1µm MIN. Au.  
OVER 0.5µm MIN. Pb-Ni.  
SOLDER AREA : 2.5µm MIN. Sn-Pb.  
OR 2.5µm MIN. PURE Sn.(FOR -XXXLF)  
HOLD-DOWN : 2.5µm MIN. PURE Sn.
  - RECOMMENDED PCB HOLE (OPTIONAL HOLD-DOWN) : 2.3±0.1
  - SEQUENCE PIN ASSIGNMENT

PIN No.	DIM "L"		
	4.25±0.1	3.5±0.1	5.0±0.1
OTHERS	36.67	1.1754	35.5168

- GENERAL TOLERANCE : ±0.3
- SEE SHEET 1 REGARDING COMPONENTS.
- THIS PRODUCT MEETS EUROPEAN UNION DIRECTIVES AND OTHER COUNTRY REGULATIONS AS DESCRIBED IN GS-22-008



mat'l. code		surface	tolerance	projection	product family	PCMCIA
		ISO 1302	ISO 406 ISO 1101			
ltr	ecn no	dr	date	tolerances unless otherwise specified		
AG				angles	title	
				linear	68 POS EJECTOR HEADER ASSY FOR 5.0V APPLICATION	
				±2'	MM	
					scale	
		dr	Mike Zhou	11/21/06	dwg no	sheet 5 of 7 size
		enr	Mike Zhou	11/21/06	92140	A4
		chr	David Qin	11/21/06	type CUSTOMER Drawing	
		appd	Jack Wang	11/21/06		
sheet	revision					
index	sheet					

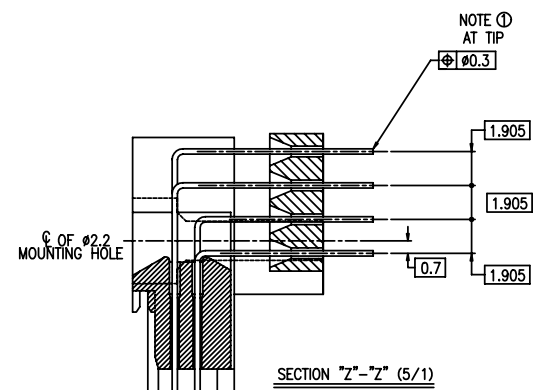
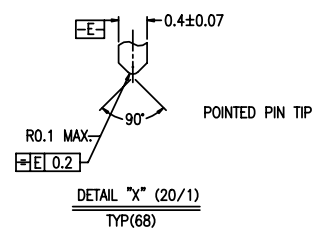
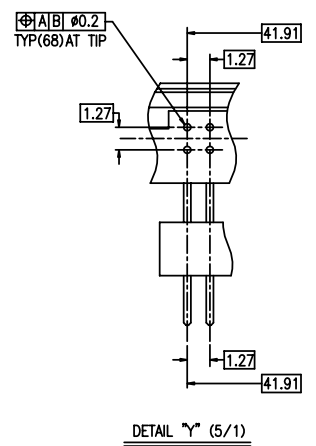
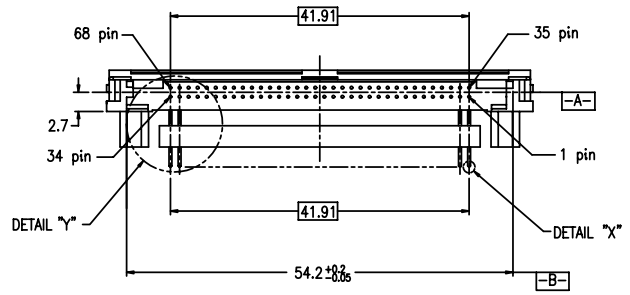
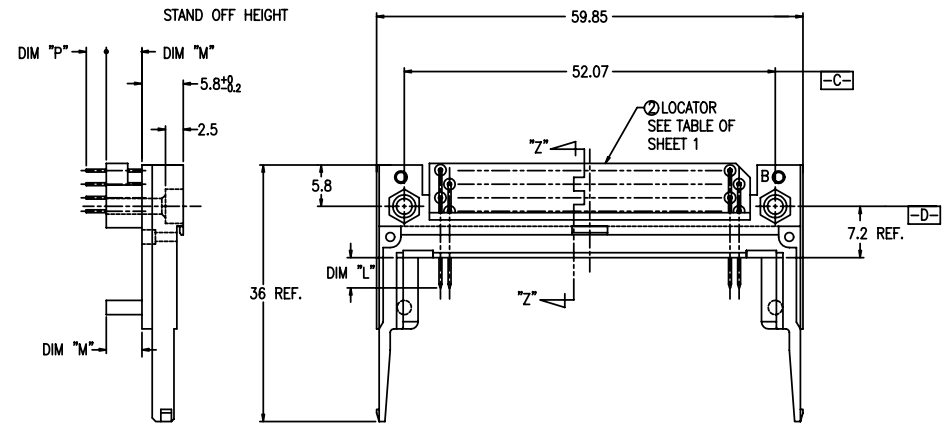
FCI CONFIDENTIAL



This document is the property of and embodies CONFIDENTIAL and PROPRIETARY information of FCI. No part of the information shown on this document may be used in any way or disclosed to others without the written consent of FCI. Copyright FCI.

FCIconnect.com

PRODUCT NO.		
92140-510	92140-510LF $\Delta$	92140-510HLF $\Delta$
92140-520	92140-520LF $\Delta$	
92140-520H $\Delta$	92140-520HLF $\Delta$	
92140-530	92140-530LF $\Delta$	
92140-540	92140-540LF $\Delta$	



- NOTES
- TRUE POSITION IS A FREE GRID TO PIN PATTERN ITSELF.
  - SEE TA-946 FOR PCB LAYOUT.
  - MATERIAL  
HOUSING : LCP UL94V-0 NATURAL.  
PIN : PHOSPHOR BRONZE.  
HOLD-DOWN : BRASS
  - FINISH  
PIN  
UNDER PLATING : 0.5 $\mu$ m MIN. Ni.  
CONTACT AREA : 0.1 $\mu$ m MIN. Au.  
OVER 0.5 $\mu$ m MIN. Pb-Ni.  
SOLDER AREA : 2.5 $\mu$ m MIN. Sn-Pb.  
OR 2.5 $\mu$ m MIN. PURE Sn.(FOR -XXXLF)  
HOLD-DOWN : 2.5 $\mu$ m MIN. PURE Sn.
  - RECOMMENDED PCB HOLE (OPTIONAL HOLD-DOWN) : 2.3 $\pm$ 0.1
  - SEQUENCE PIN ASSIGNMENT
- | PIN No. | DIM "L"        |               |               |
|---------|----------------|---------------|---------------|
|         | 4.25 $\pm$ 0.1 | 3.5 $\pm$ 0.1 | 5.0 $\pm$ 0.1 |
| OTHERS  | 36.67          | 1.1754        | 35.5168       |
- GENERAL TOLERANCE :  $\pm$ 0.3
  - SEE SHEET 1 REGARDING COMPONENTS.
  - THIS PRODUCT MEETS EUROPEAN UNION DIRECTIVES AND OTHER COUNTRY REGULATIONS AS DESCRIBED IN GS-22-008

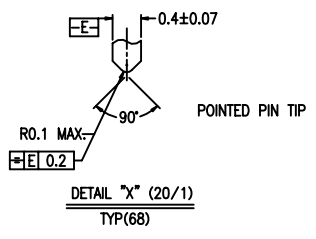
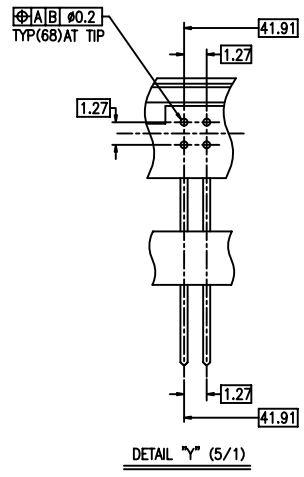
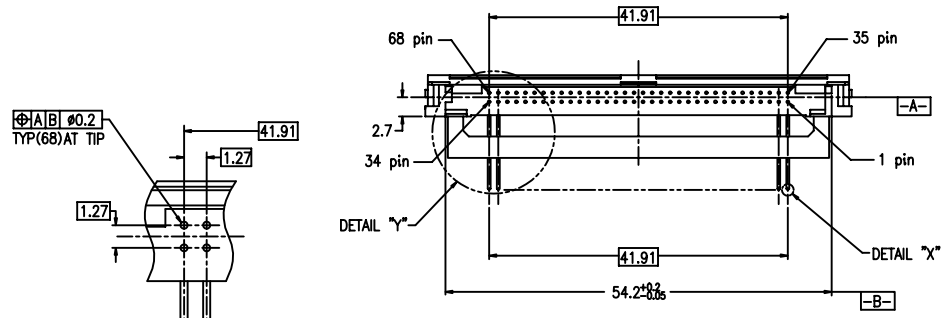
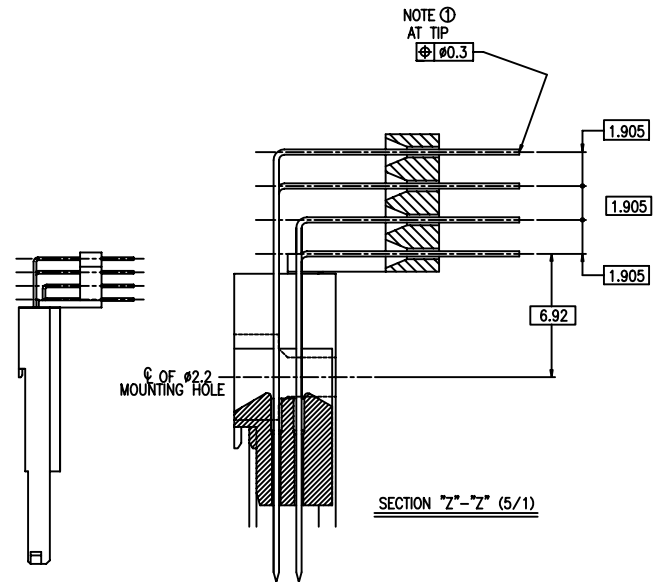
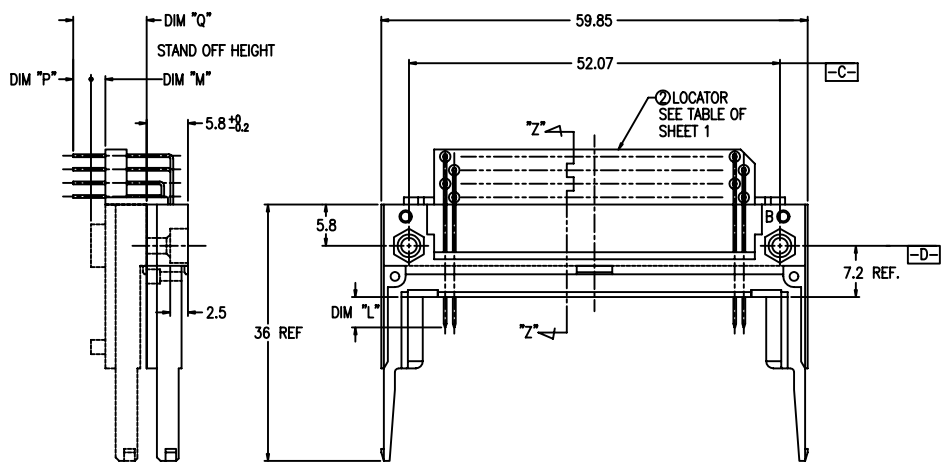
mat'l. code		surface		tolerance		projection		product family	
		ISO 1302		ISO 406 ISO 1101				PCMCIA	
ltr		ecn no		dr		date		title	
AG								68 POS EJECTOR HEADER ASSY FOR 5.0V APPLICATION	
		angles		linear		$\pm$ 0.3		dwg no	
		$\pm$ 2'				MM		92140	
		dr		Mike Zhou		11/21/06		sheet 6 of 7 size	
		enr		Mike Zhou		11/21/06		A4	
		chr		David Qin		11/21/06		type	
		appd		Jack Wang		11/21/06		CUSTOMER Drawing	
sheet		revision							
index		sheet							

FCI CONFIDENTIAL

This document is the property of and embodies CONFIDENTIAL and PROPRIETARY information of FCI. No part of the information shown on this document may be used in any way or disclosed to others without the written consent of FCI. Copyright FCI



PRODUCT NO.
92140-505
92140-505LFA
92140-535
92140-535LFA
92140-545
92140-545LFA



- NOTES
- TRUE POSITION IS A FREE GRID TO PIN PATTERN ITSELF.
  - SEE TA-946 FOR PCB LAYOUT.
  - MATERIAL  
HOUSING : LCP UL94V-0 NATURAL.  
PIN : PHOSPHOR BRONZE.  
HOLD-DOWN : BRASS
  - FINISH  
PIN  
UNDER PLATING : 0.5µm MIN. Ni.  
CONTACT AREA : 0.1µm MIN. Au.  
OVER 0.5µm MIN. Pb-Ni.  
SOLDER AREA : 2.5µm MIN. Sn-Pb.  
OR 2.5µm MIN. PURE Sn.(FOR -XXXLF)  
HOLD-DOWN : 2.5µm MIN. PURE Sn.
  - RECOMMENDED PCB HOLE (OPTIONAL HOLD-DOWN) : 2.3±0.1
  - SEQUENCE PIN ASSIGNMENT

PIN No.	DIM "L"		
	4.25±0.1	3.5±0.1	5.0±0.1
OTHERS	36.67	117.34	35.51.68

- GENERAL TOLERANCE : ±0.3
- SEE SHEET 1 REGARDING COMPONENTS.
- THIS PRODUCT MEETS EUROPEAN UNION DIRECTIVES AND OTHER COUNTRY REGULATIONS AS DESCRIBED IN GS-22-008

mat'l. code		surface	tolerance	projection	product family	PCMCIA
ltr		ISO 1302	ISO 406 ISO 101		title	
ecn no		tolerances unless otherwise specified			68 POS EJECTOR HEADER ASSY FOR 5.0V APPLICATION	
dr		angles	linear	±0.3	MM	
date		±2'	scale			
dr		Mike Zhou	11/21/06			
enrg		Mike Zhou	11/21/06			
chr		David Qin	11/21/06			
appd		Jack Wang	11/21/06			
sheet		revision		dwg no		
index		sheet		92140		
				sheet 7 of 7 size		
				A4		
				type CUSTOMER Drawing		